



# Espressione

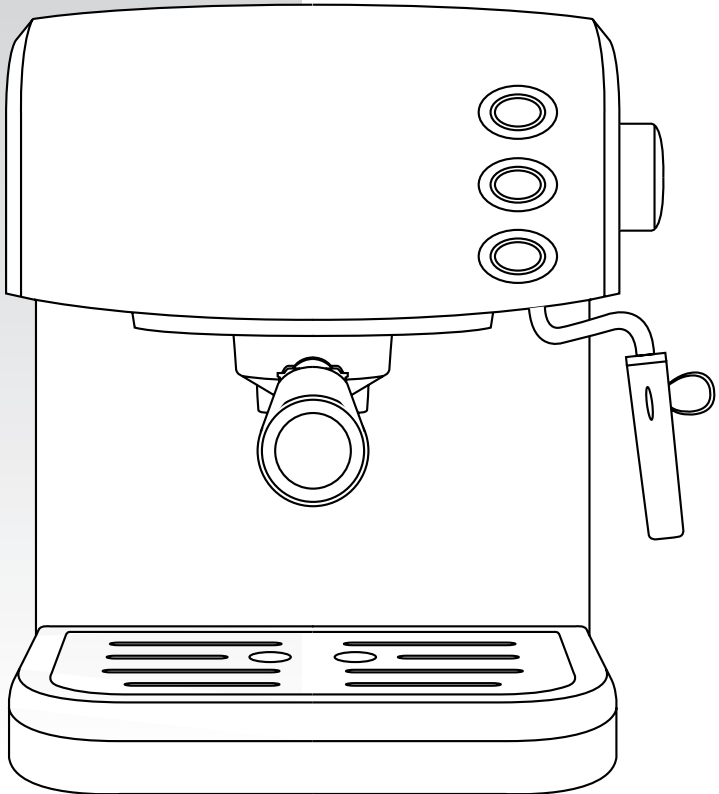
## MINIMOKA

Espresso coffee-maker

Cafetière expresso

Cafetera espresso

Máquina de café espresso



HOUSEHOLD USE ONLY  
USAGE DOMESTIQUE UNIQUEMENT  
SOLO USO DOMÉSTICO



## IMPORTANT SAFEGUARDS

When using electrical appliances, basic safety precautions should always be followed, including the following:

1. Read all Instructions.
2. Do not touch hot surfaces. Use handles or knobs.
3. To protect against fire, electric shock and injury to persons do not immerse cord, plugs, or the appliance in water or other liquid.
4. Close supervision is necessary when any appliance is used by or near children.
5. Unplug from outlet when not in use and before cleaning. Allow to cool before putting on or *taking off parts*, and before cleaning the appliance.
6. Do not operate any appliance with a damaged cord or plug or after the appliance malfunctions, or has been damaged in any manner. Return appliance to the nearest authorized service facility for examination, repair or adjustment.
7. The use of accessory attachments not recommended by the appliance manufacturer may result in fire, electric shock or injury to persons.
8. Do not use outdoors.
9. Do not let cord hang over edge of table or counter, or touch hot surfaces.
10. Do not place on or near a hot gas or electric burner, or in a heated oven.
11. To disconnect, turn any control to "off", then remove plug from wall outlet.
12. Do not use appliance for other than intended use.

## SAVE THESE INSTRUCTIONS

## Household use only

### SHORT CORD INSTRUCTION

A short power supply cord is to be provided to reduce the risk resulting from becoming entangled in or tripping over a longer cord. An extension cord is available and may be used if care is exercised in their use. If an extension cord is used, the marked electrical rating of the extension cord should be at least as great as the electrical rating of the appliance. The extension cord should be arranged so that it will not drape over the counter or tabletop where it can be pulled on by children or tripped over unintentionally.

### POLARIZED PLUG

This appliance has a polarized plug (one blade is wider than the other). To reduce the risk of electric shock, this plug is intended to fit into a polarized outlet only one way. If the plug does not fit fully in the outlet, reverse the plug. If it still does not fit, contact a qualified electrician. Do not attempt to modify the plug in any way.

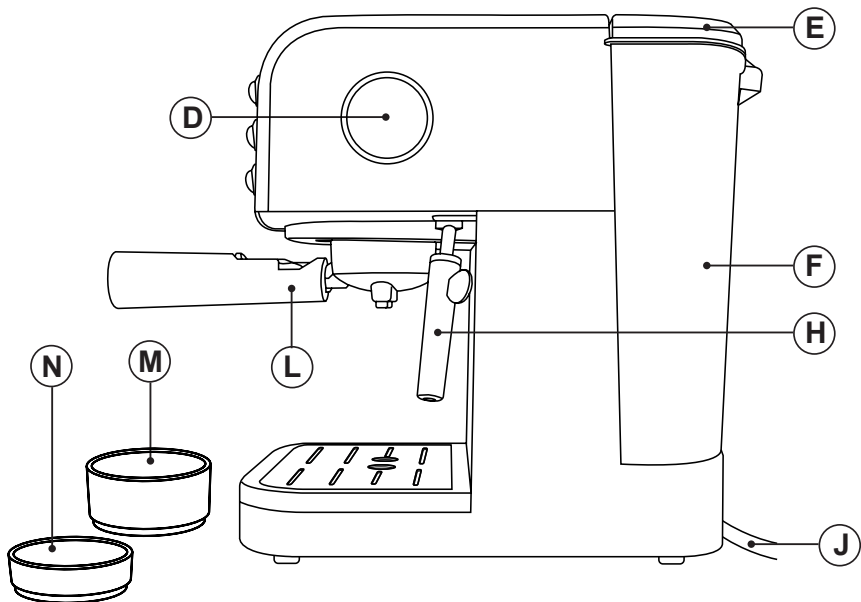
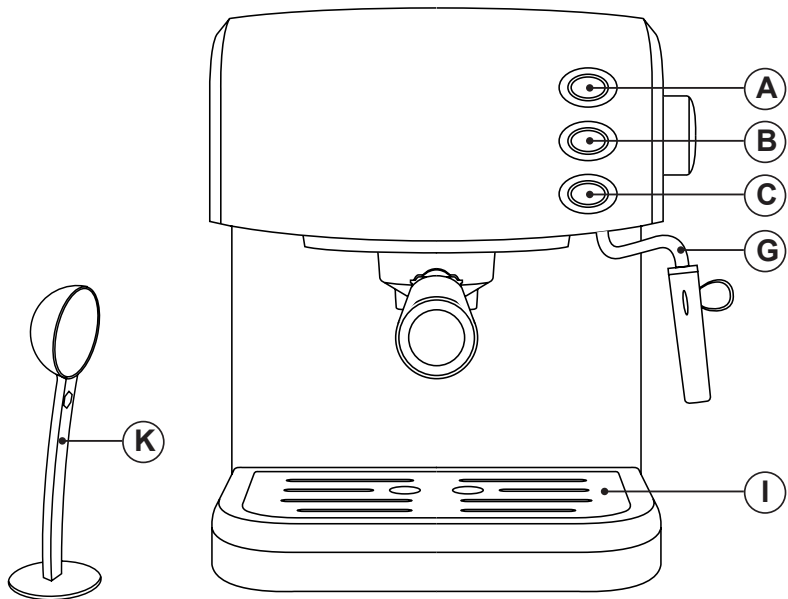


Fig.1

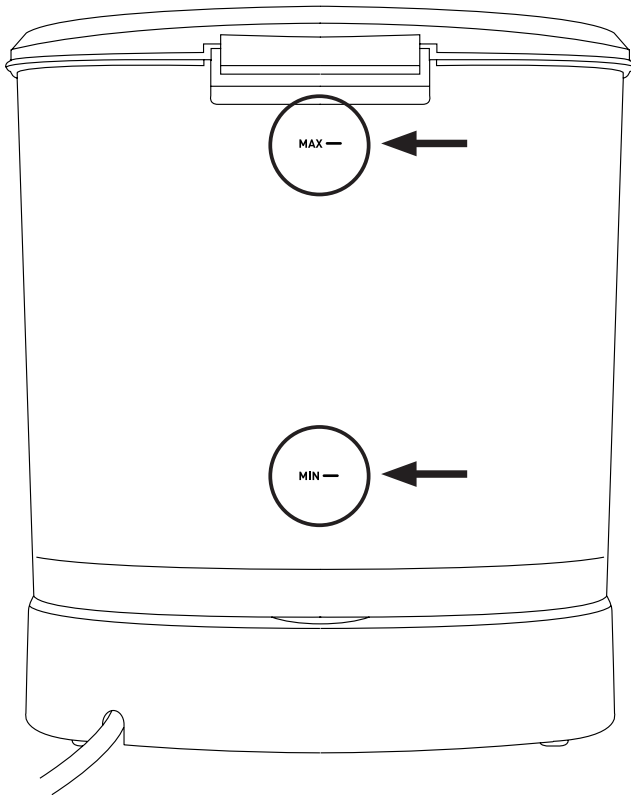
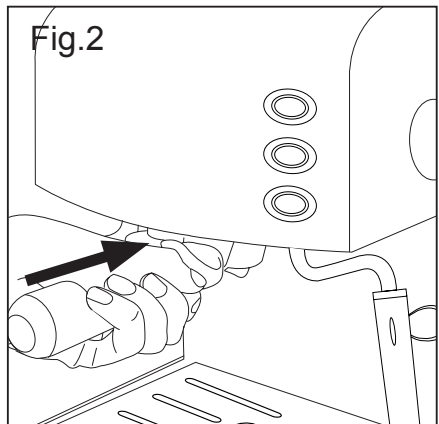


Fig.2





## Dear customer,

Many thanks for choosing to purchase a ESPRESSIONE brand product. Its technology, design and practicality, along with fact that it has passed the strictest quality tests, will bring total satisfaction for a long time, and will enable you to discover the pleasure of savouring real espresso coffee.

- Read these instructions carefully before switching on the appliance and keep them for future reference. Failure to follow and observe these instructions may result in an accident.

- Clean all the parts of the product that will be in contact with food, as indicated in the cleaning section, before use.

- This appliance is only for domestic use, not for industrial or professional use.

It is not intended to be used by guests in hospitality environments such as bed and breakfast, hotels, motels, and other types of residential environments, even in farm houses, areas of the kitchen staff in shops, offices and other work environments.

- Appliance can be used by persons with reduced physical, sensory or mental capabilities or lack of experience and knowledge if they have been given supervision or instruction concerning use of the appliance in a safe way and understand the hazard involved.

- This appliance can be used by children aged from 8 years and above if they have been given supervision or instruction concerning use of the appliance in a safe way and understand the hazards involved.

- Cleaning and user maintenance shall not be made by children unless they are older than 8 and supervised

- Keep the appliance and its cable out of reach of children under the age of eight.

- This appliance is not a toy. Children should be supervised to ensure that they do not play with the appliance.

- Ensure that the voltage indicated on the nameplate matches the mains voltage before plugging in the appliance.

- Connect the appliance to a base with an earth socket withstanding a minimum of 10 amperes.

- The appliance's plug must fit into the mains socket properly. Do not alter the plug. Do not use plug adaptors.

- Never use the electric wire to lift up, carry or unplug the appliance.

- Do not wrap the cable around the appliance.

- Check the condition of the electrical connection cable. Damaged or tangled cables increase the risk of electric shock.

- Do not touch the plug with wet hands.

- If any of the appliance casings breaks, immediately disconnect the appliance from the mains to prevent the possibility of an electric shock.

- Do not use the appliance if it has fallen on the floor, if there are visible signs of damage or if it has a leak.

- Keep the working area clean and well lit. Cluttered and dark areas invite accidents.

- The appliance should be used and kept over a flat and stable surface.

- Do not use the appliance with damp hands or feet, or when barefooted.

- Do not use the appliance, in the case persons insensitive to heat (the appliance has heated surfaces).

## Use and care:

- Fully unroll the appliance's power cable before each use.

- Do not switch the appliance on without water.

- Do not use the appliance if the on/off switch does not work.

- Do not move the appliance while in use.

- Respect the MAX and MIN levels (Fig. 1)

- Unplug the appliance from the mains before refilling the water tank.

- This appliance should be stored out of reach of children and/or the disabled.

- Do not store or transport the appliance if it is still hot.

- Keep the appliance in good condition. Check that the moving parts are not misaligned or locked and make sure there are no broken parts or anomalies that may prevent the appliance from operating correctly.

- Never leave the appliance unattended while in use.

- Never leave the appliance connected and unattended if it is not in use. This saves energy and prolongs the life of the appliance.

- Do not remove the filter holder when coffee is being made, as at that time it is under pressure.

- Any misuse or failure to follow the instructions for use renders the guarantee and the manufacturer's liability null and void.

## Description

A On/off switch

B Coffee/Steam knob

C Pump control switch

D Steam regulator control

E Tank cover

F Water tank

G Vaporiser

H Frothing tube

I Tray grill

J Supply cable

K Measuring spoon

L Filter holder

M Ground coffee 2 cup filter

N Ground coffee 1 cup filter



## Instructions for use

### Before use:

- Make sure that all the product's packaging has been removed.

- Before connecting the machine, check that the buttons (A, B or C) are not pressed, and the steam regulating control (D) is closed, by turning it to the right until it stops

- Before using this product for the first time, it is advisable to test it only with water.

- Before using the product for the first time, clean the parts that will come into contact with food in the manner described in the cleaning section.

### Priming the circuit:

- Perform this operation the first time you use the machine, when it has been out of use for some time (1 or 2 weeks), after making steam, or when the tank has run out of water.

- Fill the tank with water, making sure not to exceed the "MAX" level marker.

- Place a recipient under the vaporiser.

- Connect the appliance to the mains.

- Set the on/off switch at the on position. The pilot light will come on

- For this operation it is not necessary to wait for the machine to heat up

- Open the steam control.

- Press the pump control switch (cup position) and the pump will begin to pump water.

- The water will come out through the steam pipe.

- Let the water come out until one approximately one cup has been filled.

PLEASE NOTE: When pumping water for the first time you may hear a noise. This is perfectly normal, as the appliance is expelling air which was inside it. The noise will disappear after a few seconds.

### Filling with water:

- The deposit must be filled with water before turning the appliance on.

- Remove the water tank.

- Open the cover.

- Fill the receptacle taking care to observe the MAX and MIN level (Fig. 1)

- Close the lid.

- Replace the tank in its housing, ensuring that it is well fitted.

### Filling with ground coffee:

- Remove the filter holder.

- Insert the filter for ground coffee (M) into the filter holder.

- Fill the removable filter with ground coffee (6-7 g per cup to be prepared).

- Next lightly press down the ground coffee with the back of the spoon.
- Fit the filter holder in the appliance once more.

#### Use:

- Before connecting the machine, check that the buttons (A, B and C) have not been pressed (they must be in the "left" position and that the steam regulator is closed, by turning to the right until it stops.
- Insert the filter holder with coffee into the appliance (Fig. 2)
- Turn it anticlockwise until it is in the locked position.
- Connect the appliance to the mains.
- Turn the appliance on using the on/off switch.
- The pilot light comes on.
- Wait until the pump control switch lights up.
- Place one or two pre-heated cups at the filter holder outlet.
- The pump control pilot light will come on (it may take a few moments). When the light has come on, set the pump control switch to the "coffee" position, and a few seconds later the coffee will start to come out.
- When you have obtained the amount of coffee you want, set the pump control switch to the "stop" position.
- 40 ml (about 23 seconds) is the right volume for a good espresso coffee.
- Between 80 ml and 110 ml (about 50 seconds) is the right volume for a large coffee.
- While the appliance is in use, the light of the pump control switch (C) will come on and go off automatically, thus indicating the operating mode of the heating elements, in order to maintain the desired temperature.

#### Recommendations to prepare a good Italian Espresso:

- Lightly press down the coffee in the filter. The intensity of the espresso depends on how much the coffee has been ground, the quantity of coffee in the filter and the level of pressure applied. It only takes a few seconds for the coffee to come out. If it takes longer, this means that the coffee has been ground too finely or that the beans have been pressed too much.

#### Obtaining hot water:

- Turn the appliance on using the on/off switch
- The heating pilot light will come on to indicate that the water is heating.
- Wait until the coffee dispensing pilot light also comes on.
- Situation that tells you that the water has reached the right temperature.
- Place a recipient under the vaporiser.
- Open the steam regulator by turning it anticlockwise to the left.
- Press the coffee outlet button for operating the pump
- The hot water begins to pour out through the vaporiser.
- Once you have obtained the desired amount of hot water, press the coffee release button to stop the pump
- Close the control by turning it clockwise to the right

#### Obtaining steam:

- The steam is used to foam milk for cappuccino, and also to heat other liquids.
- Turn the appliance on using the on/off switch.
- The heating pilot light will come on indicating that the water is heating to produce steam.
- Wait until the pilot light has gone out which will indicate that the appliance has reached an adequate temperature.
- Press the heating button to steam position and continue heating until the steam temperature has been reached.
- Place a recipient under the steam tube.
- Open the control for a few seconds so that the water which has remained in the vaporiser can come out; in a short time

only steam will come out.

- When you have enough, close the control and remove the recipient.

#### Once you have finished using the appliance:

- Turn the appliance off, using the on/off switch.
- Unplug the appliance to the mains.
- Remove the water from the water tank.
- Clean the appliance



#### Cleaning

- Disconnect the appliance from the mains and let it cool before undertaking any cleaning task.
- Clean the equipment with a damp cloth with a few drops of washing-up liquid and then dry.
- Do not use solvents, or products with an acid or base pH such as bleach, or abrasive products, for cleaning the appliance.
- It is advisable to clean the appliance regularly and remove any food remains.
- If the appliance is not in good condition of cleanliness, its surface may degrade and inexorably affect the duration of the appliance's useful life and could become unsafe to use.
- After washing, dry all the parts before fitting them together and storing.

#### How to deal with lime scale incrustations:

- For the appliance to work correctly it should be kept free of lime scale or magnesium incrustations caused by the use of hard water.
- To prevent this kind of problem, we recommend the use of water with low lime or magnesium mineralisation.



#### Anomalies and repair

- Take the appliance to an authorised technical support service if problems arise. Do not try to dismantle or repair without assistance, as this may be dangerous.

#### Ecology and recyclability of the product

- The materials of which the packaging of this appliance consists are included in a collection, classification and recycling system. Should you wish to dispose of them, use the appropriate public recycling bins for each type of material.
- The product does not contain concentrations of substances that could be considered harmful to the environment.



## **Espressione**

c/o The Smith Agency, Ltd.  
P.O. Box 669307  
Marietta, Georgia USA  
30066.0106  
Phone 770.509.3006  
Fax 770.509.8736  
[espressione@smithagy.net](mailto:espressione@smithagy.net)

### **After Sales Service Electra Craft**

41 Woodbine Street  
Bergenfield, NJ 07621  
Phone 201 439 1700  
Fax 201 439 1701  
[info@electra-craft.com](mailto:info@electra-craft.com)

Net weight (Aprox.): 2,80 Kg  
Gross weight (Aprox.): 3,45 Kg